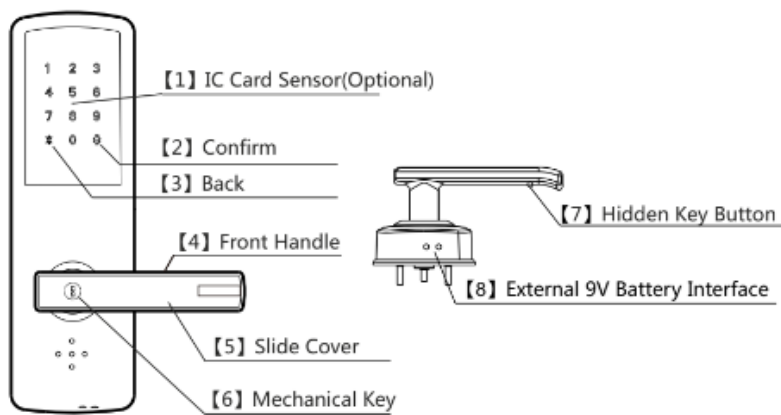


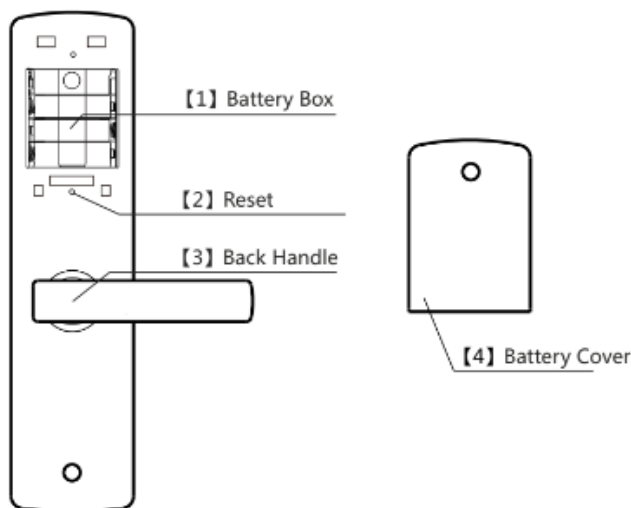
## CONTROL DE ACCESOS CON CÓDIGO INALÁMBRICO (CON LLAVE)

The iSurpass Smart Door Lock provides more convenience to secure your home. It supports passwords, key and remote lock/unlock. It's a Z-Wave product and compatible with all Z-Wave networks. Any third party manufacturer controller can include/exclude this lock. Use in conjunction with a Security Enabled Z-Wave Controller to fully utilize all implemented functions.

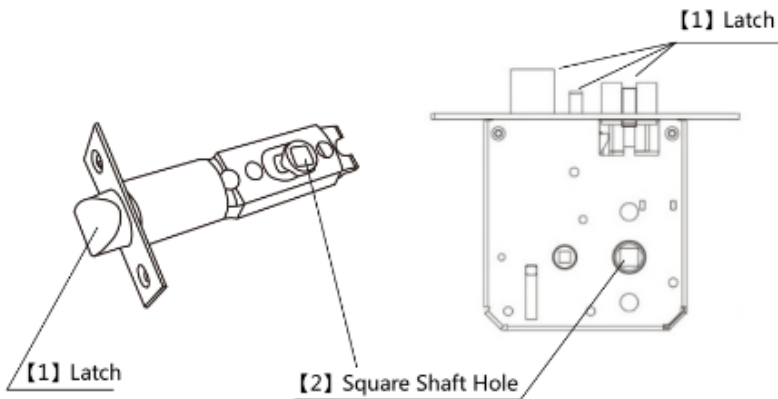
### 1. Structure



Front Panel Structure



Back Panel Structure



Latch Structure

## 2. Installation requirement

Door thickness require 38-90mm, deep for latch is 100mm. Our doorlock support right/left hand, right/left hand revers, please change the hand of doorlock when installing, and chose the right direction of latch.

## 3. Factory Default Reset

User should reset device for safety when receiving lock first or if forget the password or if lost card. The reset way : hold the reset button about 7s, when hear "Di" sound, then release the button, door lock will be reset. Factory default reset will reset all user (password and card) and home ID and device ID (about zwave function), so be carefully to do reset. The default admin password is 123456 . Please use this procedure only when the network primary controller is missing or otherwise inoperable.

## 4. Admin. Mode & Menu

Press Reset button, and wait until keypad lights up, then input admin password + # (default admin password is 123456).

## 5. Specification

S/N	Item	Content
1	Coating Material	Zinc Alloy
2	Mortise	Five-latch/Single-latch
3	User Capacity (Admin)	9 groups
4	User Capacity (User)	21 groups
5	Power Supply	4.8~6.5VDC (AA*4)
6	Battery Life	10000 times open operating
7	Low Voltage Alarm	≤5.0V
8	Static Current	≤50uA
9	Dynamic Current	≤300mA
10	Working Tem.	-20~55°C
11	Working Humidity	20~95%
12	Dimension	L*W*H: 228.60 × 71.30 × 86.2mm (Front) L*W*H: 228.60 × 71.30 × 72.85mm (Back)
13	Package Size	350 × 235 × 140mm
14	G.W	2.0kg

